

DL-2X502-WB



DUMMY LOAD
SINGLE 5.0 KW
DOUBLE 2.5 KW
DC÷110 MHz

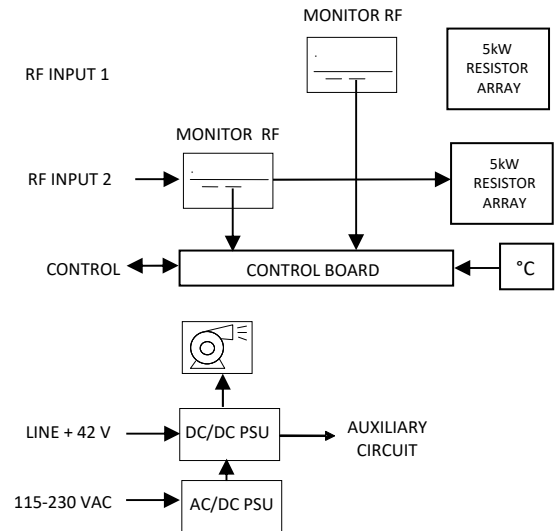
General information

The **DL-2x502-WB** is a single 5.0 kW or double 2.5 kW Termination Load; it is allocated in a 3ru height module, suitable to be mounted into a standard EIA 19" rack. The unit includes two 50 Ohm resistive loads, each of them suitable for withstanding separately either an input CW RF Power of 5.0 kW, or an input simultaneously RF Power of 2.5 kW on each one; the working frequency covers the full range DC-110 MHz with return loss > 30 dB.

The loads are realized by combining thick film resistors on BeO substrate in order to transfer the heat exclusively by conduction to a suitable heat sink which is then cooled down by forced air .

The **DL-2x502-WB** includes all the mechanical and electronics components in order to achieve the best efficiency and to provide the following functionalities:

- Absorption of the applied RF Power
- System cooling by forced air
- Interlock protection for over temperature

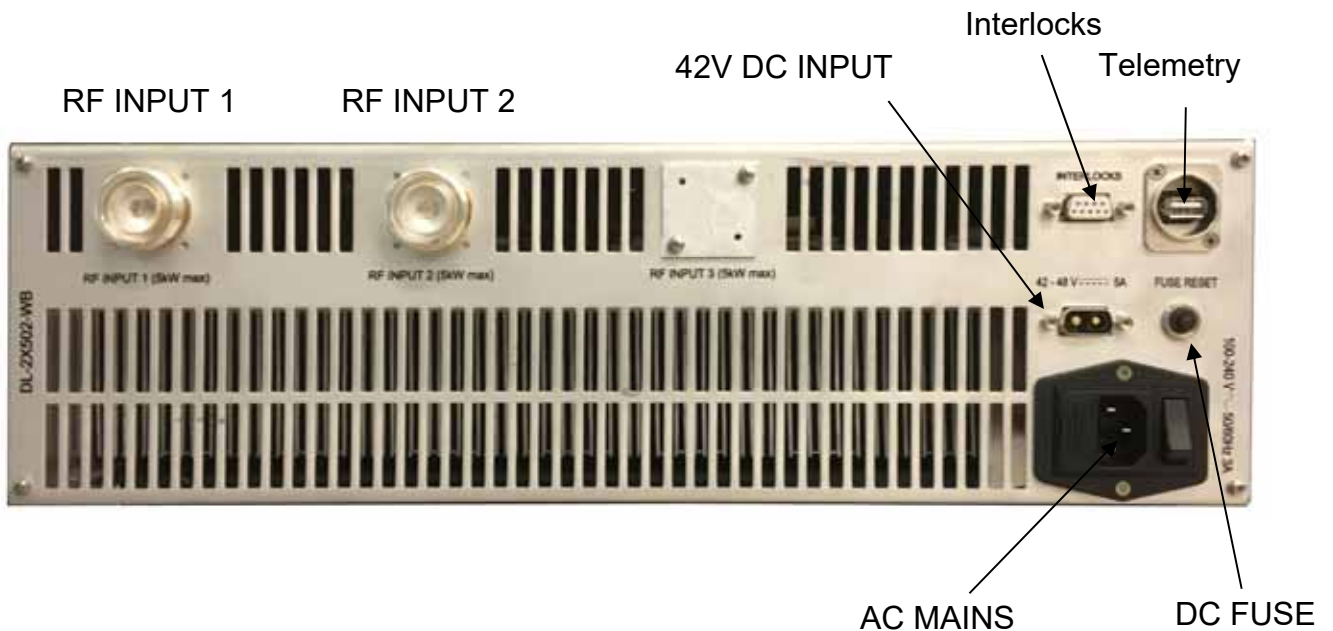


Block Diagram

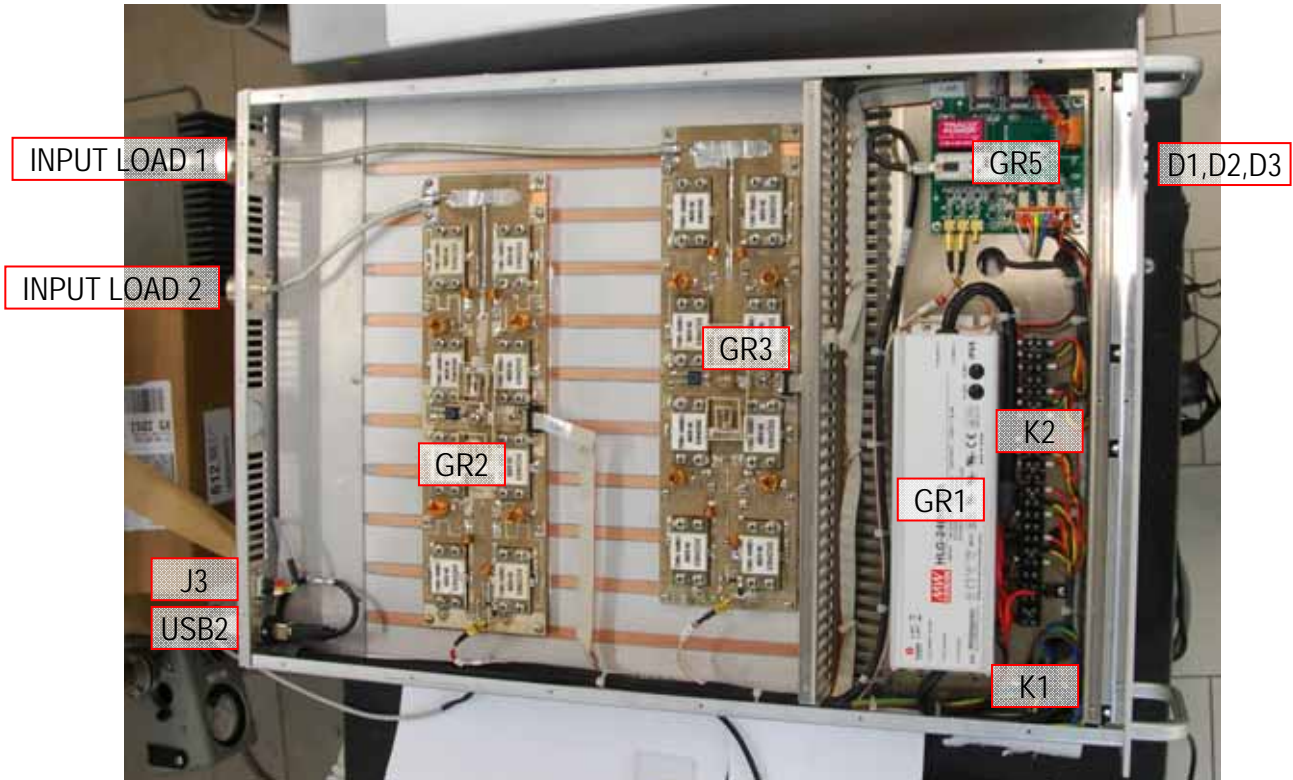
Technical Specifications

- | | |
|-----------------------------|--|
| • Frequency Range | DC-110 MHz |
| • RF Input | 2 Input EIA 7/16" |
| • Impedance | 50 Ω |
| • VSWR | better than 1:1.03 |
| • Max Input Power | 5.0 kW CW on a single input
2.5 kW CW for each input simultaneously |
| • Supply Voltages | +42 V DC \pm 5%; 2.0 A (auxiliary)
115-230 VAC (mains) |
| • Cooling | forced air |
| • Minimum required air flow | 1000 m ³ /h at the sea level |
| • Size | 482.6 W x 133 H x 600 D mm |
| • Weight | 35 Kg. |
| • Temperature range | -20 + 50 °C |
| • Protection | Over temperature/Over Drive Interlock |
| • Telemetry | Power level / temperature / alarms for each termination |

LED MONITORS

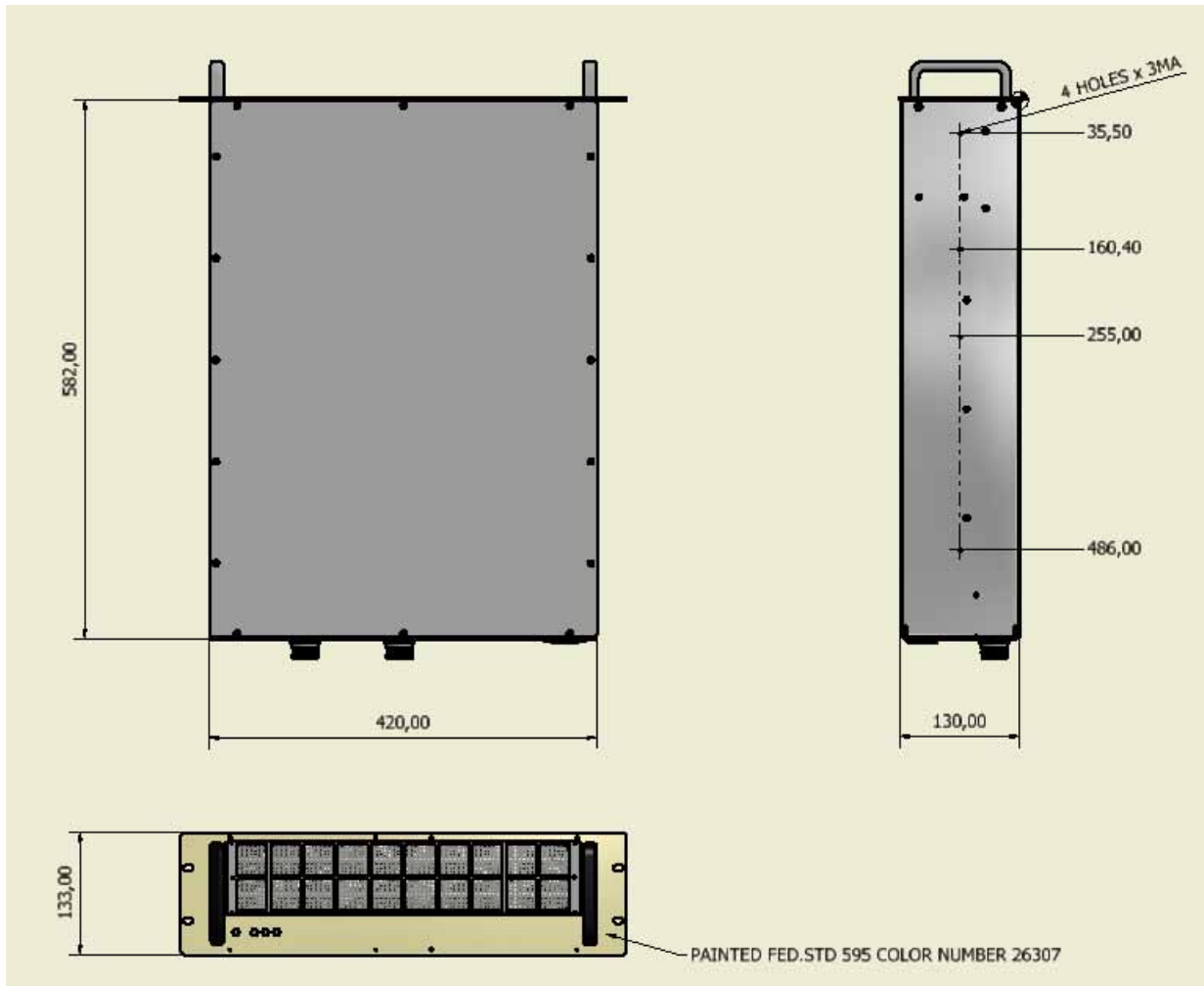


- RF INPUT 1 7-16 DIN, 2.5kW max. (up to 5kW when stand alone)
- RF INPUT 2 7-16 DIN, 2.5kW max. (up to 5kW when stand alone)
- INTERLOCKS DB9 connector
- TELEMETRY USB Input/Output
- 42V DC INPUT Input to DC/DC Converter for auxiliary circuits
- FUSE RESET DC Fuse Reset
- AC Mains AC Socket, switch and fuse



DESCRIPTION	U.M.	Q.ty	REF.
240W 48V AC/DC PWR SUPPLY	NR	1	GR1
5KW DUMMY LOADS ASS'Y (8x1.2kw resistors)	NR	2	GR2,GR3
DUMMY LOADS CONTROL	NR	1	GR5
3 POLE TERMINAL	NR	1	K1
12 POLE TERMINAL	NR	2	K2
FRONT PANEL LED (RED)	NR	3	D1,D2,D3

NOTE: The internal arrangement is subject to modifications without any notice



Intech S.r.l. : Via B. Pontecorvo 11 (Via Tiburtina Km 18,200) – 00012 Guidonia (RM) – Italy
e-mail: info@intech-srl.com – Tel: +39.0774.379237 / +39.0774.357200 ; Fax: +39.0774.375545